

Desander

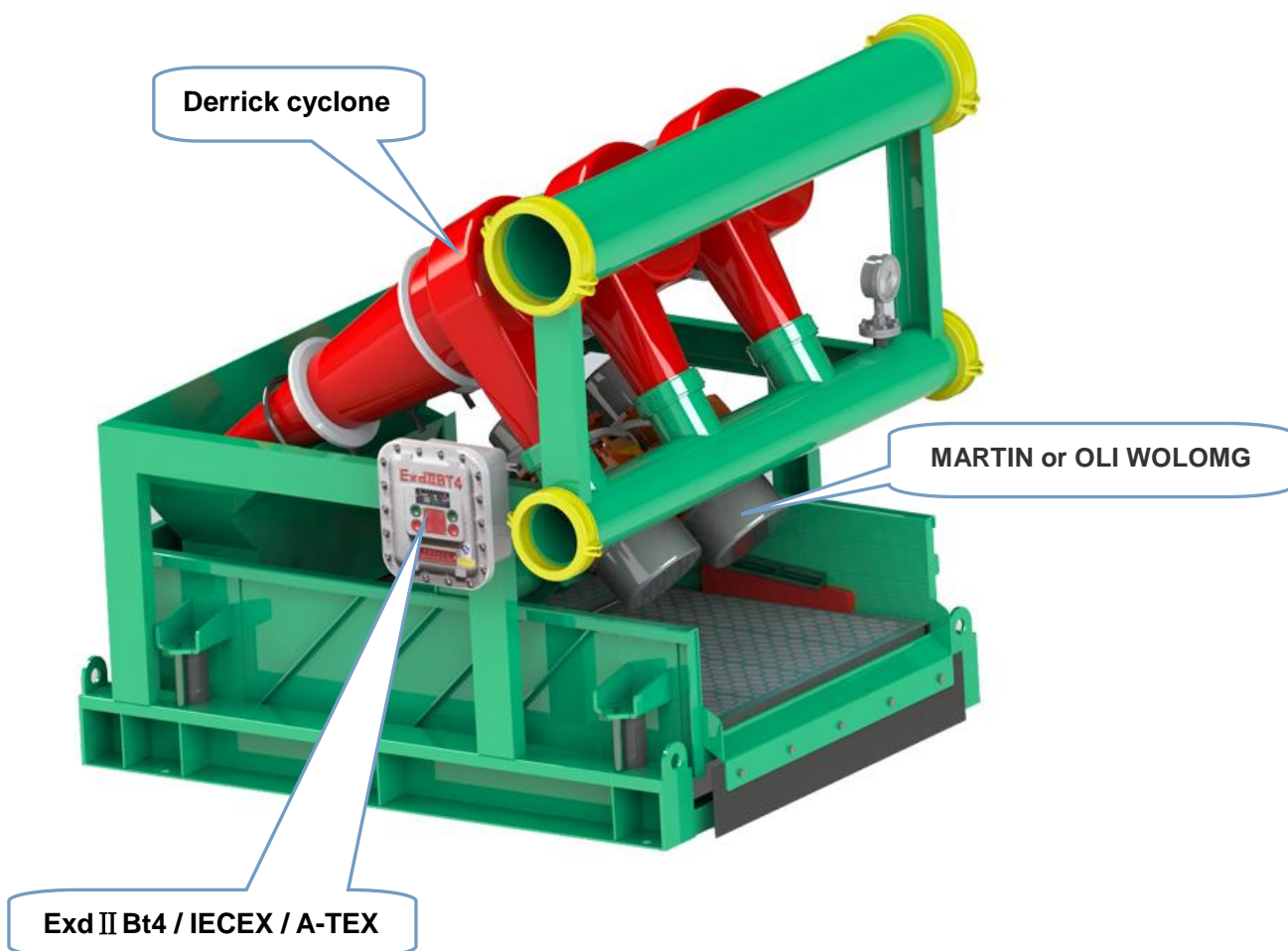
- Long service life
- Small separation point
- Lower blocks



Desander

Desander is using sand pumps supplying the mud, mud along the tangent direction of the cyclone into cyclones, the mud structure is destroyed under the action of centrifugal force, the solid particle under the action of gravity along the inner wall spiral sinking, discharged from the bottom of the cyclone falls on the following screen, liquid discharged from the top of the cyclone.

- Long service life
- Small separation point
- Lower blocks



Why choose TR Desander

- Desander cyclone using high chromium cast iron or solid polyurethane material, all choose by customer. Polyurethane cyclone we can exchange international brand. Cyclone has long service life, light weight and easy to maintain.
- High separation capacity, wide range of separation, can remove 45 micron to 1mm solid particles.
- Cyclone underflow mouth with umbrella-shaped "wet ground" particles of sand inside the area of separation can be quickly discharged, reducing blocking probabilities

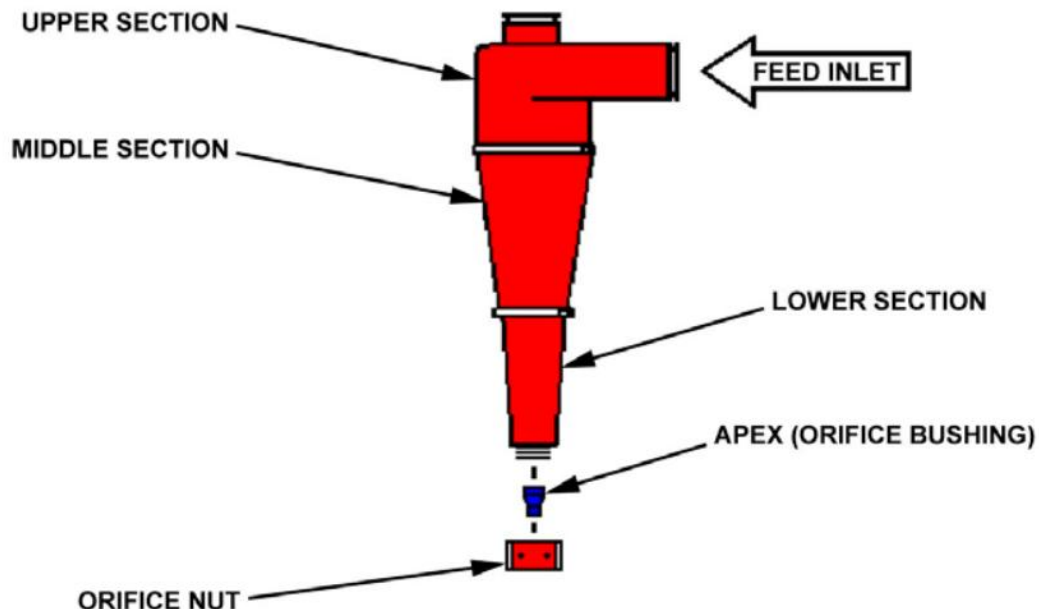
Desander Parameter

Model	TRCS200-1S/2S	TRCS250-2S	TRCS300-1S/2S
Capacity	60 / 120m³/h	120 / 240m³/h	140 / 280m³/h
Cyclone Specs	8in (DN200)	10in (DN250)	12in (DN300)
Cyclone Qty	1nos / 2nos	1nos / 2nos	1nos / 2nos
Working Pressure	0.25-0.4mPa	0.25-0.4mPa	0.25-0.4mPa
Inlet Size	DN125mm	DN150mm	DN150mm
Outlet Size	DN150mm	DN200mm	DN200mm
Separation	45um-75um	45um-75um	45um-75um
Bottom shaker	TRTS60	TRTS60	TRZS752
Dimension	1510X1160X2000	1510X1360X2250	1835X1230X1810
Weight	570kg / 620kg	670kg / 760kg	1380kg

Desander cyclone

Desander consists of three main components: Upper, middle, and lower sections. The soft orifice bushing is positioned in the tapered hole inside the orifice nut, which is threaded onto the lower section. The orifice nut is threaded onto the lower section.

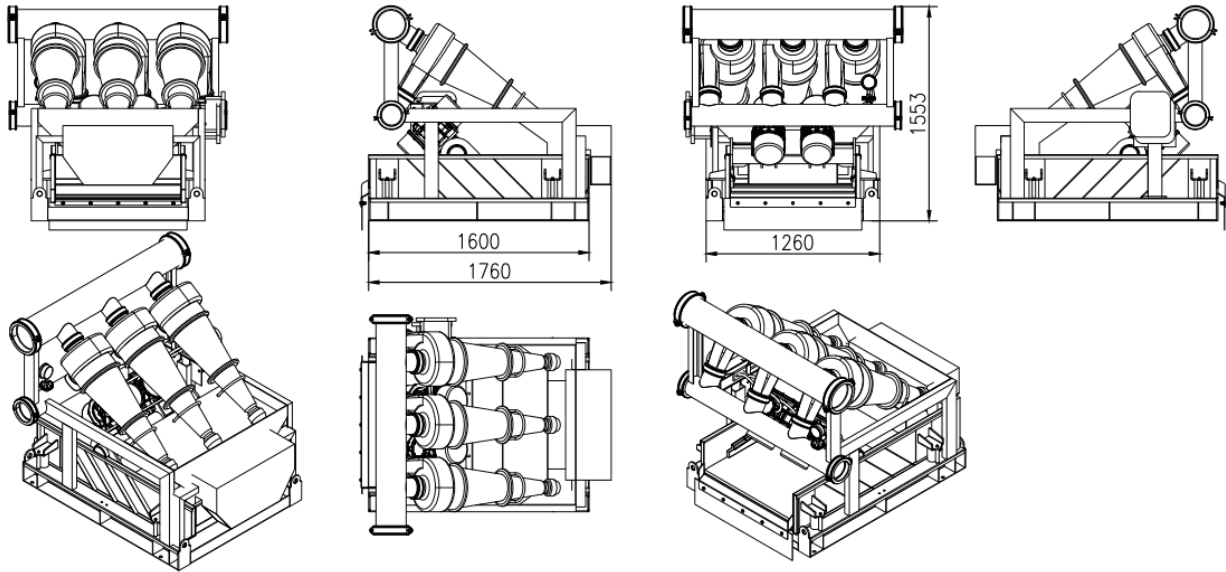
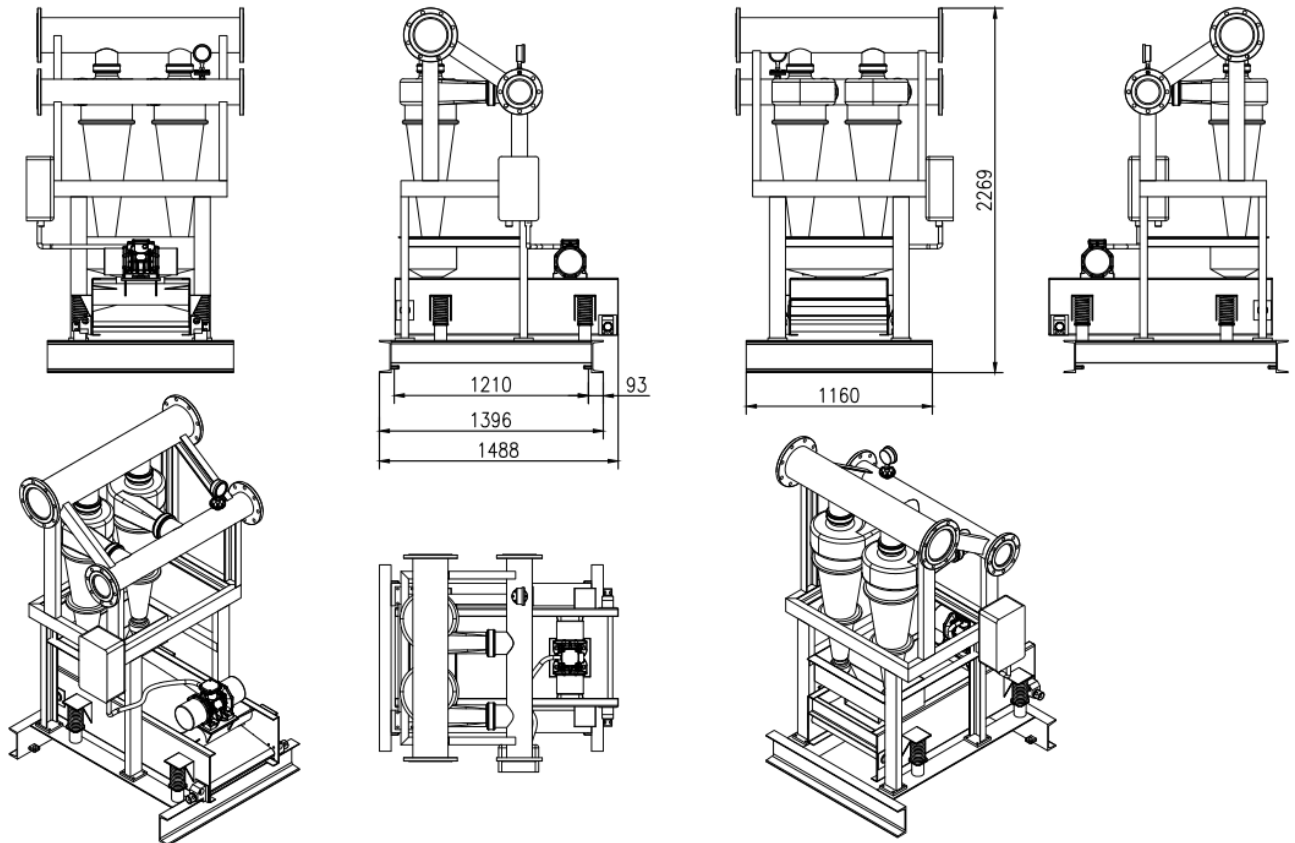
By varying the apex opening, the hydrocyclone spray pattern may be adjusted during operation. Turning the orifice nut counterclockwise releases compression, allowing the apex to return to its original size.



If you need to know more details about Desander, then you contact us.

Company: Xian Tianrui Petroleum Machinery Equipment CO., LTD

TEL: 86-29-86332919 **FAX:** 86-29-86332919 **E-mail:** sales@trsolidscontrol.com

Desander Dimension (TRCS300-1S/2S)

Desander Dimension (TRCS200-1S/2S)


If you need to know more details about Desander, then you contact us.

Company:Xi'an Tianrui Petroleum Machinery Equipment CO., LTD

TEL:86-29-86332919 **FAX:**86-29-86332919 **E-mail:**sales@trsolidscontrol.com